



Cat[®] TH357D

AG HANDLER TELEHANDLER

FEATURES:

- **Engine Options** – Choose the right engine for you – two fuel efficient Cat[®] engines are available to suit a wide range of applications.
- **Frame, Boom and Linkage** – Designed for durability. Easy to access greasing points mean a long, trouble free life for the machine. A Z-bar linkage delivers powerful breakout forces and fast cycle times.
- **Powerful Hydraulics** – A variable displacement piston pump matched to a high performance flow sharing valve makes multi functioning easy. The load sensing system means excellent fuel economy, as the pump only works when required.
- **Cab** – The cab is designed with the operator in mind with a multi function joystick and a comfortable working environment. The unique “Operator Preferences” feature allows the machine to be tuned to suit individual operators. Options include a heated air suspension seat, large display screen with pre-loaded load charts, rearview camera, reversing sensors and air conditioning.

Specifications

Engine

| | Standard | Option 1 |
|-------------|-------------------------|-------------------------|
| Model* | Cat C4.4 ACERT™ | Cat C4.4 ACERT |
| Gross power | 74.5 kW (100 hp/bhp) | 96.5 kW (129 hp/bhp) |
| Max torque | 410 N·m | 514 N·m |

*Emits Equivalent to EU Stage IIIA.

Weights

Operating Weight with Carriage and Forks* 7955 kg

*Represents machine configuration of 74.5 kW (100 hp/bhp) engine on standard 15.5/80-24 16 ply tires.

Operating Specifications

| | |
|-----------------------------------|---------|
| Rated Load Capacity | 3500 kg |
| Maximum Lift Height | 7.0 m |
| Capacity at Maximum Lift Height | 2250 kg |
| Maximum Forward Reach | 3.65 m |
| Capacity at Maximum Forward Reach | 1500 kg |
| Outside Turning Radius over Tires | 3.85 m |
| Outside Turning Radius over Forks | 3.95 m |

Service Refill Capacities

| | |
|----------------|-------|
| Fuel Tank | 148 L |
| Hydraulic Tank | 120 L |

Brakes

| | |
|----------------|--|
| Service Brakes | Boost assisted oil immersed multi disc on both axles |
| Parking Brake | Mechanically actuated on front axle service brakes |

Transmission*

| Type | 6 speed power shift |
|---------|---------------------|
| Forward | |
| 1 | 5.8 km/h |
| 2 | 8.6 km/h |
| 3 | 11.3 km/h |
| 4 | 16.7 km/h |
| 5 | 25.4 km/h |
| 6 | 40.0 km/h |
| Reverse | |
| 1 | 5.8 km/h |
| 2 | 11.3 km/h |
| 3 | 25.4 km/h |

*Travel speed is subject to machine configuration.

Electrical

| | |
|-------------------|---------------------------|
| Battery | 1 × 12V 1,000 CCA Battery |
| Alternator Output | 12V/150A |



TH357D Ag Handler Telehandler

Hydraulic System

| | |
|------------------------------|-----------------------------|
| System Type | Load Sensing, Closed Center |
| Pump Type | Variable Flow, Axial Piston |
| Maximum Pump Capacity | 140 L/min |
| System Pressure | 260 bar |
| Auxiliary Hydraulic Pressure | 245 bar |
| Auxiliary Hydraulic Flow | |
| Boom Head – Intermittent | 95 L/min |
| Boom Head – Continuous | 95 L/min |
| Machine Rear | 80 L/min |

Boom Performance

| | |
|----------------------|----------|
| Boom Up | 6.5 sec |
| Boom Down | 5.8 sec |
| Tele Out | 5.5 sec |
| Tele In | 5.5 sec |
| Crowd Forward (Dump) | 3 sec |
| Crowd Backward | 3 sec |
| Combined | |
| Up and Out | 10.2 sec |
| Down and In | 8.2 sec |

Axles

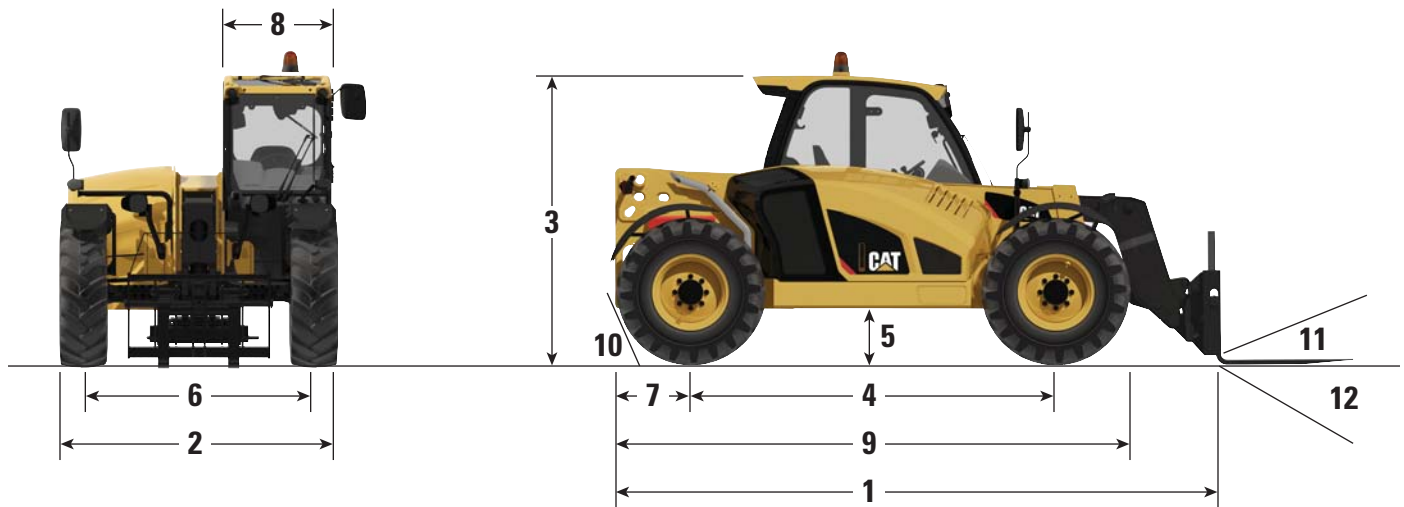
| | |
|------------|--|
| Front Axle | High bias, planetary reduction hubs with limited slip differential |
| Rear Axle | Open differential with planetary reduction hubs |

Tires

| | |
|----------|-----------------------------|
| Standard | Mitas 15.5/80-24 16 ply |
| Options | Michelin 15.5 R25 XHA |
| | Michelin 460/70 R24 XMCL |
| | Michelin 500/70 R24 XMCL |
| | Michelin 440/80 24 Power CL |
| | Michelin 400/80 24 Power CL |
| | Michelin 460/70 R24 Bibload |
| | Firestone Duraforce |
| | 13 × 24 Solid Tires |

Performance

| | |
|------------------------|-----------|
| Drawbar Pull | |
| 83 kW/111 hp Engine | 92 kN |
| 92.6 kW/124 hp Engine | 88 kN |
| Boom Breakout Force | 50 kN |
| Bucket Breakout Force | 72 kN |
| Quick Coupler Rotation | 152° |
| Noise Levels | |
| In Cab | 74 dB(A) |
| External | 106 dB(A) |
| Towable Mass | |
| Hydraulically Braked | 12 000 kg |

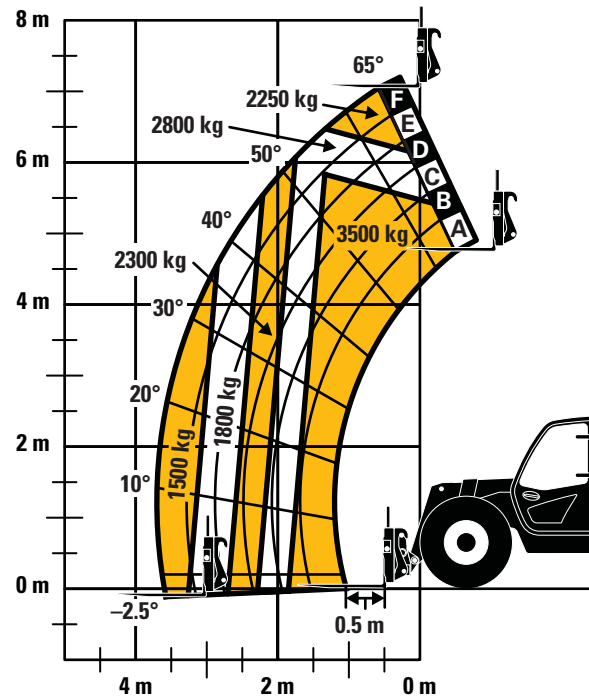


Dimensions (All dimensions are approximate.)

| | | | |
|--|---------|------------------------------------|---------|
| 1 Overall Length to Front of Carriage | 5000 mm | 7 Overhang | 1000 mm |
| 2 Overall Width (standard tires) | 2382 mm | 8 Cab Width | 900 mm |
| 3 Overall Height (standard tires)* | 2475 mm | 9 Machine Length | 5000 mm |
| 4 Wheelbase | 3165 mm | 10 Departure Angle | 60° |
| 5 Ground Clearance | 430 mm | 11 Maximum Fork Crowd Angle | 24° |
| 6 Track | 1988 mm | 12 Maximum Fork Dump Angle | 128° |

*Add 200 mm for beacon.
Add 40 mm for top guard.

Load Chart and Dimensions



IMPORTANT

Rated lift capacities shown are with machine equipped with carriage and pallet forks. The machine must be level on a firm surface with undamaged, properly inflated tires. Machine specifications and stability are based on rated lift capacities at specific boom angles and boom lengths. (If specifications are critical, the proposed application should be discussed with your dealer.)

DO NOT exceed rated lift capacity loads, as unstable and dangerous machine conditions will result.

DO NOT tip the machine forward to determine the allowable load.

Use only approved attachments with proper material handler model/attachment load capacity charts displayed in the operator's cab.

Due to continuous product improvements, machine specifications and/or equipment changes may be made without prior notification.

TH357D Ag Handler Telehandler

Standard and Optional Equipment (Standard and Optional equipment may vary. Consult your Cat dealer for details.)

| | Standard | Optional | | Standard | Optional |
|--|----------|----------|---|----------|----------|
| Cab ROPS and FOPS | | | Tires | | |
| Longitudinal Stability Indicator | ✓ | — | Mitas 15.5/80-24 16 ply | ✓ | — |
| Reversing Camera | — | ✓ | Michelin 460/70 R24 XMCL | — | ✓ |
| Reversing Sensors | — | ✓ | Michelin 500/70 R24 XMCL | — | ✓ |
| Large Electronic Display Screen | — | ✓ | Michelin 400/80 24 Power CL | — | ✓ |
| Sunscreen | ✓ | — | Michelin 440/80 24 Power CL | — | ✓ |
| Mechanical Suspension Seat with Seat Belt | ✓ | — | Michelin 460/70 R24 Bibload | — | ✓ |
| Air Suspension Seat with Seat Belt | — | ✓ | Michelin 15.5 R25 XHA | — | ✓ |
| Heated Air Suspension Seat with Seat Belt | — | ✓ | Firestone Duraforce | — | ✓ |
| Roof Wiper | ✓ | — | 13 × 24 Solid Tires | — | ✓ |
| Screen Guard | — | ✓ | Tow Hitches | | |
| Roof Guard | — | ✓ | Retrieval Hitch | — | ✓ |
| Heater/De-mister | ✓ | — | Hydraulic Pick Up Hitch | — | ✓ |
| Air Conditioning | — | ✓ | EEC Manual Hitch | — | ✓ |
| Engine Speed Set | ✓ | — | EEC Automatic Hitch | — | ✓ |
| Multi Function Joystick Controller with FNR | ✓ | — | EEC Automatic Hitch with Piton | — | ✓ |
| Column Mounted FNR Lever | — | ✓ | Trailer Braking Valve | — | ✓ |
| Front and Rear Windscreen Wipers | ✓ | — | Quick Couplers | | |
| Mechanical Parking Brake | ✓ | — | Manual Cat “IT” Interface | ✓ | — |
| SAHR Parking Brake | — | ✓ | Hydraulic Cat “IT” Interface | — | ✓ |
| Electrical | | | • Competitive couplers are available, please consult your Cat dealer for details. | | |
| 1 × 12V 1,000 CCA Battery | ✓ | — | Work Tools | | |
| 2 × 12V 815 CCA Batteries | — | ✓ | Floating Fork Carriage | — | ✓ |
| Block Heater 240 Volt | — | ✓ | ISO Class 3 Fixed Fork Carriage | — | ✓ |
| Work Lights, 4 × Cab Mounted (2 front, 2 rear) 2 × Boom Mounted | — | ✓ | Side Shift Carriage | — | ✓ |
| Product Link™ Ready, Version 641 | — | ✓ | 1 m ³ General Purpose Bucket | — | ✓ |
| Seven (7) Pin Trailer Service | — | ✓ | 1.5 m ³ Rehandling Bucket | — | ✓ |
| Reverse Alarm | ✓ | — | 1.0 m ³ Multi Purpose Bucket | — | ✓ |
| Rotating Beacon | — | ✓ | 2.0 m ³ Grain Bucket | — | ✓ |
| Other Equipment | | | 2.5 m ³ Grain Bucket | — | ✓ |
| Boom Brushes | ✓ | — | 3.0 m ³ Grain Bucket | — | ✓ |
| Ride Control with Boom Float | — | ✓ | 1225 mm Bale Fork | — | ✓ |
| Single Auxiliary Service to Boom Head | ✓ | — | Grapple Bucket | — | ✓ |
| 2 nd Auxiliary Service to Boom Head | — | ✓ | Muck Fork and Grapple | — | ✓ |
| Auxiliary Service to Rear | — | ✓ | Bale Handler | — | ✓ |
| Rear Hitch Mirror, Flat | — | ✓ | Sweeper Collector | — | ✓ |
| Rear Hitch Mirror, Convex | — | ✓ | | | |
| Tool Box | — | ✓ | | | |
| Boom Safety Brace | — | ✓ | | | |

For more complete information on Cat products, dealer services, and industry solutions, visit us on the web at www.cat.com

AEHQ8063 (09-2017)

© 2017 Caterpillar
All rights reserved

Materials and specifications are subject to change without notice. Featured machines in photos may include additional equipment. See your Cat dealer for available options.

CAT, CATERPILLAR, SAFETY.CAT.COM, their respective logos, “Caterpillar Yellow” and the “Power Edge” trade dress, as well as corporate and product identity used herein, are trademarks of Caterpillar and may not be used without permission.

